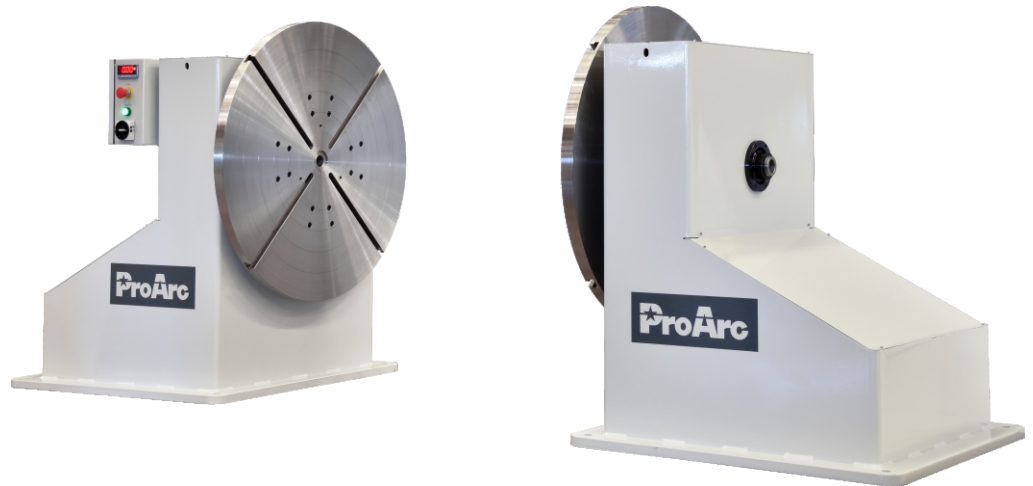


# Headstock-Tailstock Positioners

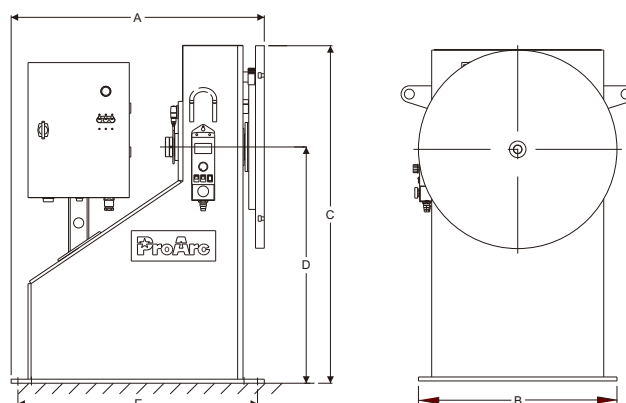
## ▶▶ HTS series



### Features

- All welded steel frame structure.
- For long weldments rotation.
- Capacities range from 500 to 20,000 kilograms.
- Machined "T" slots table with pilot and through hole.
- A. C. inverter drive for rotation.
- Forward-Stop-Reverse and variable speed control are standard.
- Totally gear-safe design.
- Maintenance-free grounding system.
- Optional adjustable table height to fit larger workpiece.

### Dimensions



# Specifications

| Specification                   |       |                                      |        |                                |         |            |         |                                |         |            |         |               |         |               |        |
|---------------------------------|-------|--------------------------------------|--------|--------------------------------|---------|------------|---------|--------------------------------|---------|------------|---------|---------------|---------|---------------|--------|
| Model                           | Unit  | HTS-1000                             |        | HTS-2000                       |         | HTS-4000   |         | HTS-6000                       |         | HTS-10K    |         | HTS-15K       |         | HTS-20K       |        |
| HS-Headstock / TS-Tailstock     |       | HS-500                               | TS-500 | HS-1000                        | TS-1000 | HS-2000    | TS-2000 | HS-3000                        | TS-3000 | HS-5000    | TS-5000 | HS-7500       | TS-7500 | HS-10K        | TS-10K |
| Power input                     |       | AC 100 - 240V<br>50 / 60 Hz, 1 phase |        | AC 220V<br>50 / 60 Hz, 1 phase |         |            |         | AC 220V<br>50 / 60 Hz, 3 phase |         |            |         |               |         |               |        |
| Rotation motor                  | hp    | 1/5                                  |        | 1/2                            |         | 1          |         | 1                              |         | 2          |         | 3             |         | 3             |        |
| Overall length (A)              | mm    | 510                                  |        | 750                            |         | 900        |         | 1,000                          |         | 1,150      |         | 1,350         |         | 1,350         |        |
| Overall width (B)               | mm    | 500                                  |        | 600                            |         | 1,000      |         | 1,100                          |         | 1,200      |         | 1,500         |         | 1,500         |        |
| Overall height (C)              | mm    | 825                                  |        | 1,000                          |         | 1,175      |         | 1,300                          |         | 1,600      |         | 2,000         |         | 2,000         |        |
| Center to floor (D)             | mm    | 600                                  |        | 700                            |         | 800        |         | 800                            |         | 1,000      |         | 1,250         |         | 1,250         |        |
| Bolt-down hole dia.*square (E)  | mm    | 20*450                               |        | 20*600                         |         | 20*750     |         | 24*900                         |         | 28*1,000   |         | 28*1,200      |         | 28*1,200      |        |
| Capacity                        | kg    | 500                                  | 500    | 1,000                          | 1,000   | 2,000      | 2,000   | 3,000                          | 3,000   | 5,000      | 5,000   | 7,500         | 7,500   | 10,000        | 10,000 |
| Total loading capacity          | kg    | 1,000                                |        | 2,000                          |         | 4,000      |         | 6,000                          |         | 10,000     |         | 15,000        |         | 20,000        |        |
| Rated eccentricity              | mm    | 100                                  |        | 200                            |         | 300        |         | 200                            |         | 200        |         | 300           |         | 300           |        |
| Eccentric load torque rating    | kg-cm | 5,000                                |        | 20,000                         |         | 60,000     |         | 60,000                         |         | 100,000    |         | 225,000       |         | 300,000       |        |
| Table dimension                 | mm    | 450                                  |        | 600                            |         | 800        |         | 1,000                          |         | 1,200      |         | 1,500 x 1,500 |         | 1,500 x 1,500 |        |
| Through hole                    | mm    | Ø25                                  |        | Ø26                            |         | Ø35        |         | Ø40                            |         | Ø40        |         | Ø50           |         | Ø50           |        |
| Table pilot hole (dia. x depth) | mm    | Ø50 x 5                              |        | Ø50 x 5                        |         | Ø50 x 5    |         | Ø75 x 5                        |         | Ø75 x 5    |         | Ø100 x 5      |         | Ø100 x 5      |        |
| Table slot bolt size            |       | M12                                  |        | M12                            |         | M16        |         | M20                            |         | M24        |         | M30           |         | M30           |        |
| Rotation speed                  | rpm   | 0.12 ~ 2                             |        | 0.05 ~ 1                       |         | 0.05 ~ 0.8 |         | 0.05 ~ 0.8                     |         | 0.04 ~ 0.8 |         | 0.02 ~ 0.5    |         | 0.01 ~ 0.25   |        |
| Earthing                        | amp   | 300                                  |        | 300                            |         | 600        |         | 600                            |         | 600        |         | 1,200         |         | 1,200         |        |

Specifications subject to change without notice

## UNITED PROARC CORPORATION

No.3, Gungye 10th Road, Pingjen Ind. Park, Pingjen Dist., Taoyuan City 32459, Taiwan  
 Tel: 886-3-4696600 Fax: 886-3-4694499 <http://www.proarc.com.tw> E-mail:sales@proarc.com.tw