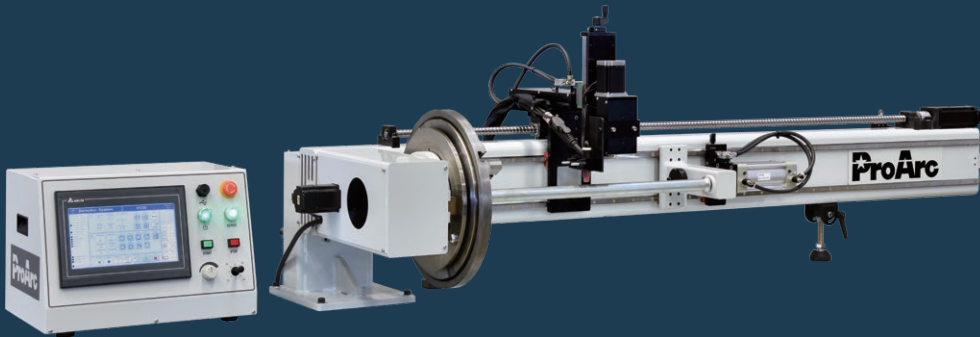


## FLEXIBLE WELDING SOLUTION

ProArc PCW Precise Circumferential Welder provides all of the features necessary to position and rotate parts for circumferential welding. This precision welding lathe is designed to allow unskilled personnel to consistently produce high quality welds on a wide range of circumferential parts.



• PCW-350-15 Horizontal

### Features

- Large rotation speed ranges from 0.02 ~ 50rpm
- 40mm through hole turntable
- Torch positioning accuracy  $\pm 0.01\text{mm}$
- Air actuated torch stand
- Quick positioning tailstock
- Extreme accuracy welding lathe with servo motor control for turntable and transverse carriage
- Designed to enable horizontal or vertical configuration for more flexible welding solution



• PCW-350-15 Vertical

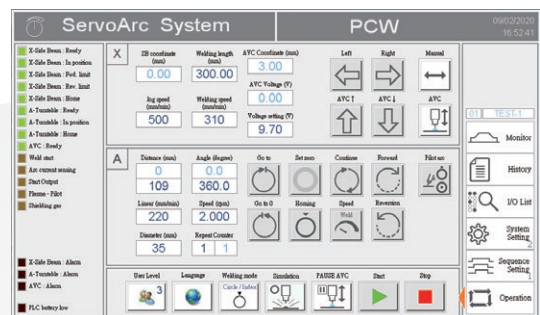
# Smart Control System

Complete PCW welding system comes with a user-friendly, smart and reliable controller. It controls critical welding parameters including torch positioning, welding current, arc voltage and welding sequence.



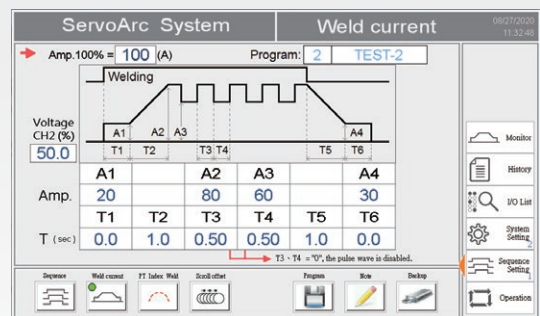
## User-friendly interface

PLC control base with touch screen provides an intuitive graphical interface. Operator easily understands how to run the machine.



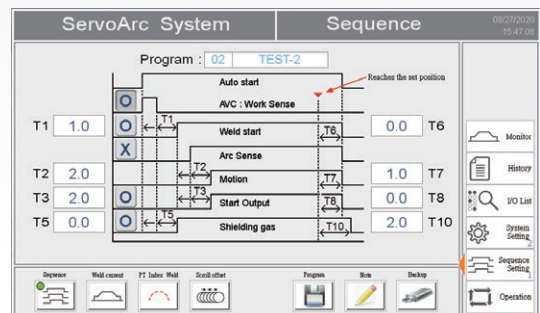
## Quick settings of welding parameters

Allows to adjust and set the welding parameters such as speed, amperage, arc voltage in one single control box.



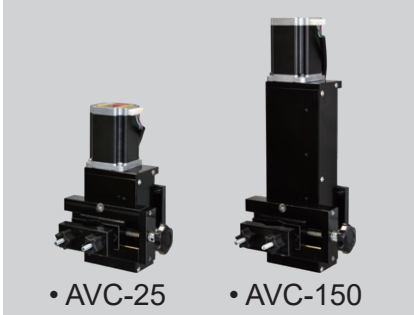
## Create your own welding sequence

According to welding process and application, operator can simply create welding sequence like welding start/stop, torch up/down & shield gas. This makes the working procedure easier and more flexible.



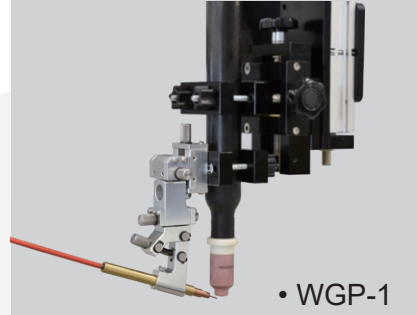
## Options

### Arc voltage control system

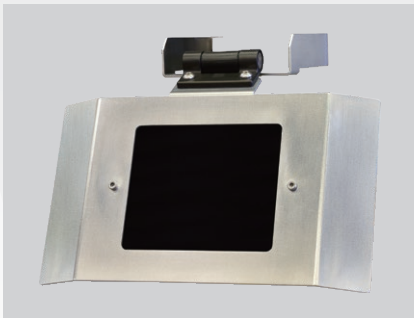


- For AC/DC TIG and Plasma welding

### Cold wire feeder



### Safety viewer

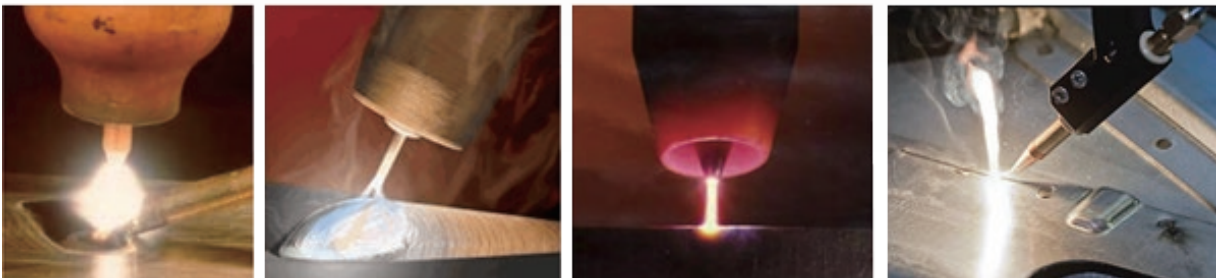


### CCD Camera



## Application

PCW-350 can be integrated with TIG, MIG, micro-plasma and/or laser machine.





## Specification

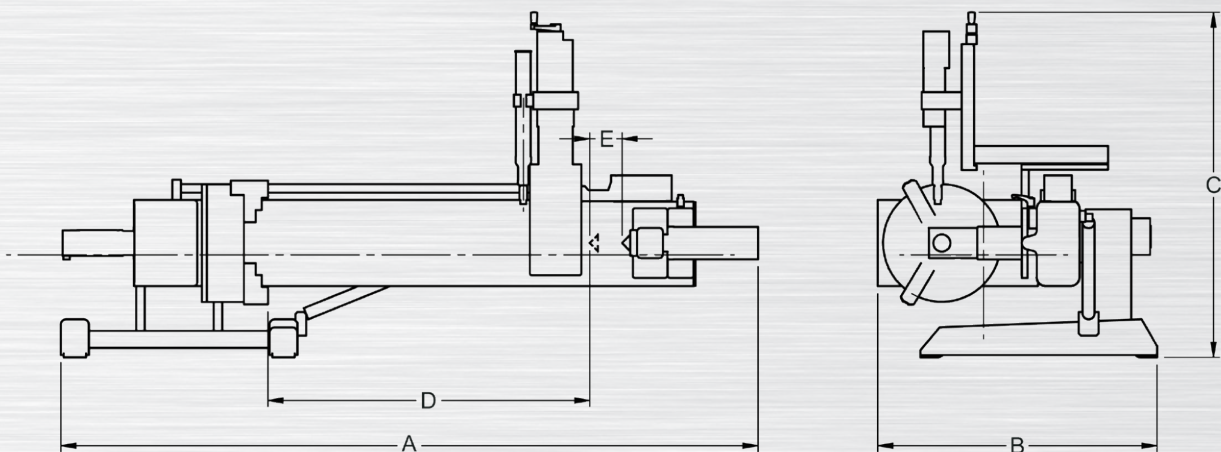
Model	Unit	PCW-350-06	PCW-350-09	PCW-350-12
Power input		AC 220V, 50/60Hz, 1 Phase		
AC servo motor	W		400	
Capacity	kg		50	
Welding equipment capacity	kg		10	
Rotation speed	rpm		0.02 ~ 50	
Earthing	amp		300	
Part diameter	mm		Ø350	
Overall length (A)	mm	1,520	1,820	2,120
Overall width (B)	mm	700	700	700
Overall height (C)	mm	820	820	820
Part length (D) <sup>※1</sup>	mm	600	900	1,200
Tailstock stroke (E)	mm	75	75	75
Table pilot hole <sup>※2</sup>	mm	Ø40	Ø40	Ø40
Weight	kg	170	200	240

※ Specifications subject to change without notice.

※1 Special length - by option.

※2 Special pilot hole - by option.

## Dimensions



### United ProArc Corporation

No.3 Gungye 10th Road, Pingjen Industrial Park, Pingjen Dist., Taoyuan City 324403, Taiwan

Tel:886-3-4696600 Fax:886-3-4694499 E-mail:sales@proarc.com.tw